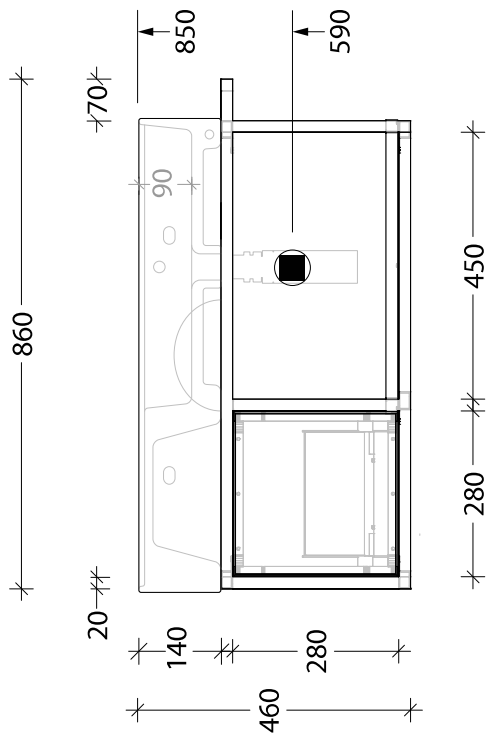
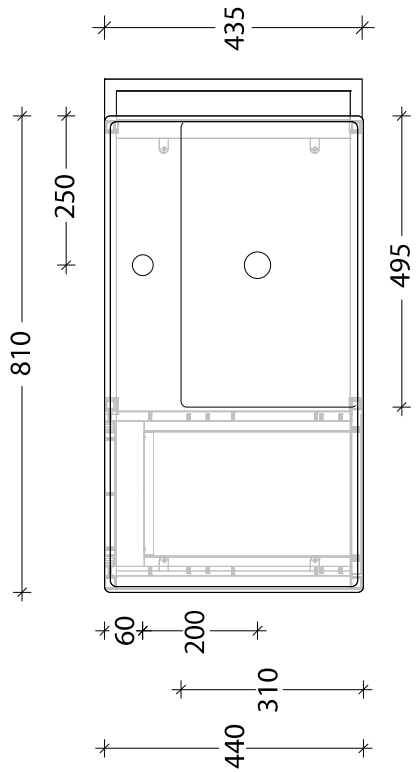
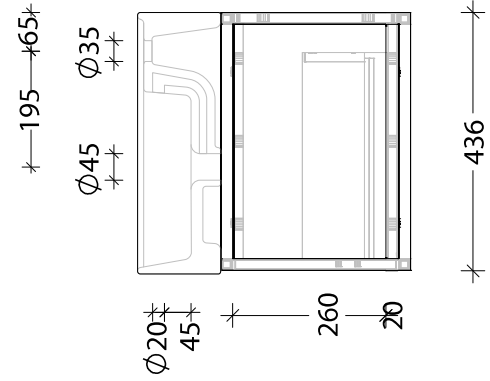


NAME:	ANTONIO ANTEFC800WHL/R
SIZE:	800
WK/WHI:	WALL HUNG
CONFIGURATION:	DRAWER AND OPEN SHELF



RECOMMENDED ROUGH
IN SPECS FOR PLUMBER
BASED ON INSTALLED
BENCH HEIGHT (850) WITH
JAMIE.J SUBWAY
BOTTLE TRAP



PLEASE NOTE: Do not perform any plumbing rough in prior to taking delivery of your vanity, as all measurements are nominal and are subject to change. Measure exact locations from your vanity once it is on site.